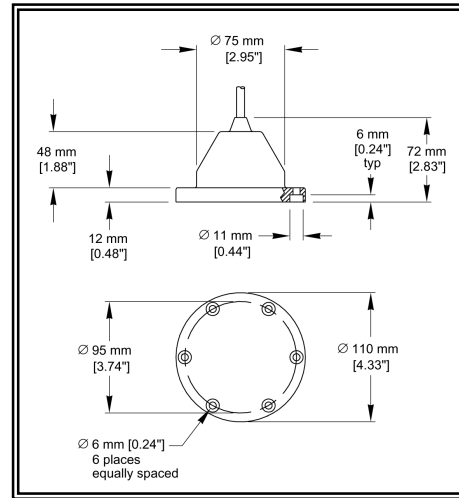




odomhydrographic.com

Odom Hydrographic Systems, Inc.
1450 Seaboard Avenue
Baton Rouge, LA. 70810 -6261
225.769.3051, Facsimile 225.766.5122

FMBB200-9



Performance Data

Frequency	200kHz
Beam Width	9°
Q (transmit)	2.8
Rated RMS Power	600 W
Balanced Impedance	85 ohms
Peak Figure of Merit	-13
Bandwidth	
Acoustic Window Material	Urethane
Cable Type	C33 (2-22 AWG)
Cable Size	7mm
Weight	1.5Kg.

The equivalent of the Atlas model 6014 dimensionally, the M194 can be mounted to a tank, in the hull, a tow fish or adaptable mounting plate. It's SEALCAST™ construction ensures durability.