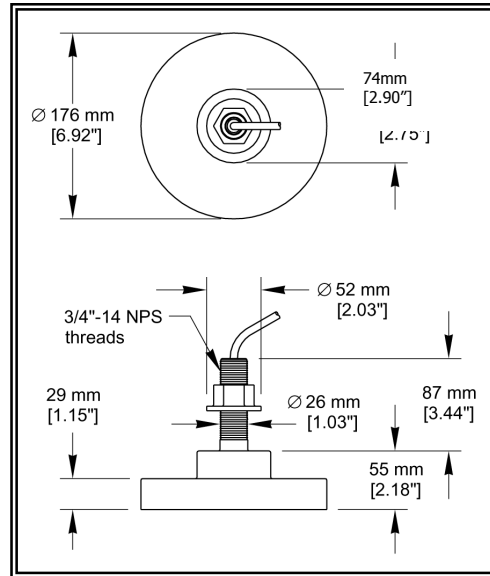




odomhydrographic.com

Odom Hydrographic Systems, Inc.
 1450 Seaboard Avenue
 Baton Rouge, LA. 70810 -6261
 225.769.3051, Facsimile 225.766.5122

SMBB200-3



Performance Data

Frequency	200kHz
Beam Width	3°
Q (transmit)	6.5
Rated RMS Power	3KW
Balanced Impedance	60 ohms
Peak Figure of Merit	-3.5db
Bandwidth	30kHz
Acoustic Window Material	Urethane
Threads	3/4" -14NPS
Cable Type	C33 (2-20 AWG)
Cable Size	7mm
Weight	5.3Kg.

SMBB200-3_information_sheet

Stem Mount, BroadBand 200khz-3d, SS549, C33, 10m, 5P