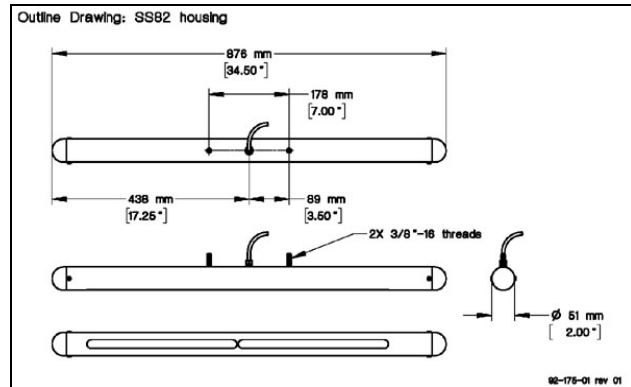
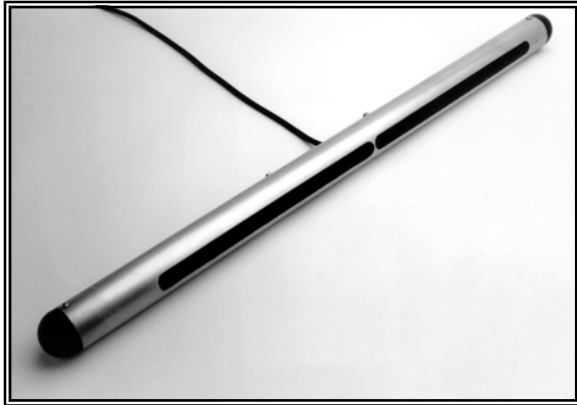




odomhydrographic.com

Odom Hydrographic Systems, Inc.
 1450 Seaboard Avenue
 Baton Rouge, LA. 70810 -6261
 225.769.3051, Facsimile 225.766.5122

SS200-0.7x50



Performance Data

Frequency	200kHz
Beam Width	0.7 x 50°
Q (transmit)	
Rated RMS Power	W
Balanced Impedance	ohms
Peak Figure of Merit	
Bandwidth	
Acoustic Window Material	Urethane
Cable Type	C43 (2-14 AWG)
Cable Size	10mm
Weight	10.5Kg.