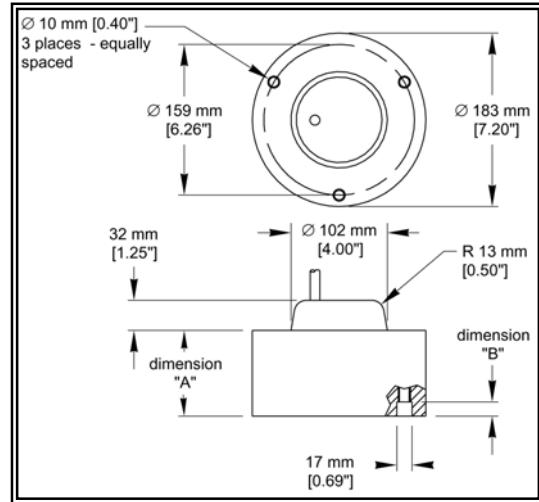




odomhydrographic.com

Odom Hydrographic Systems, Inc.  
 1450 Seaboard Avenue  
 Baton Rouge, LA. 70810 -6261  
 225.769.3051, Facsimile 225.766.5122

## TM33-19-NAV



### Performance Data

Frequency	33kHz
Beam Width	19°
Q (transmit)	7
Rated RMS Power	1,000 W
Balanced Impedance	70 ohms
Peak Figure of Merit	-13
Bandwidth	
Acoustic Window Material	Urethane
Cable Type	C37 (2-18 AWG)
Cable Size	9mm
Weight	9.5Kg..

The M192-NAV features an underwater pluggable connector and constructed of with a durable SEALCAST™ housing. The M197-NAV is compatible with the model C235 (pictured) transducer tank and can be changed by divers without dry-docking the vessel. The internal transformer enables correct impedance match to echo sounder.

TM-33-19-NAV\_information\_sheet

Tank Mount, 33khz-19d,M192-2, w/UW Conn. NAV cable 85ft